

MAY

MAYLIS ET CHARLES TASSIN

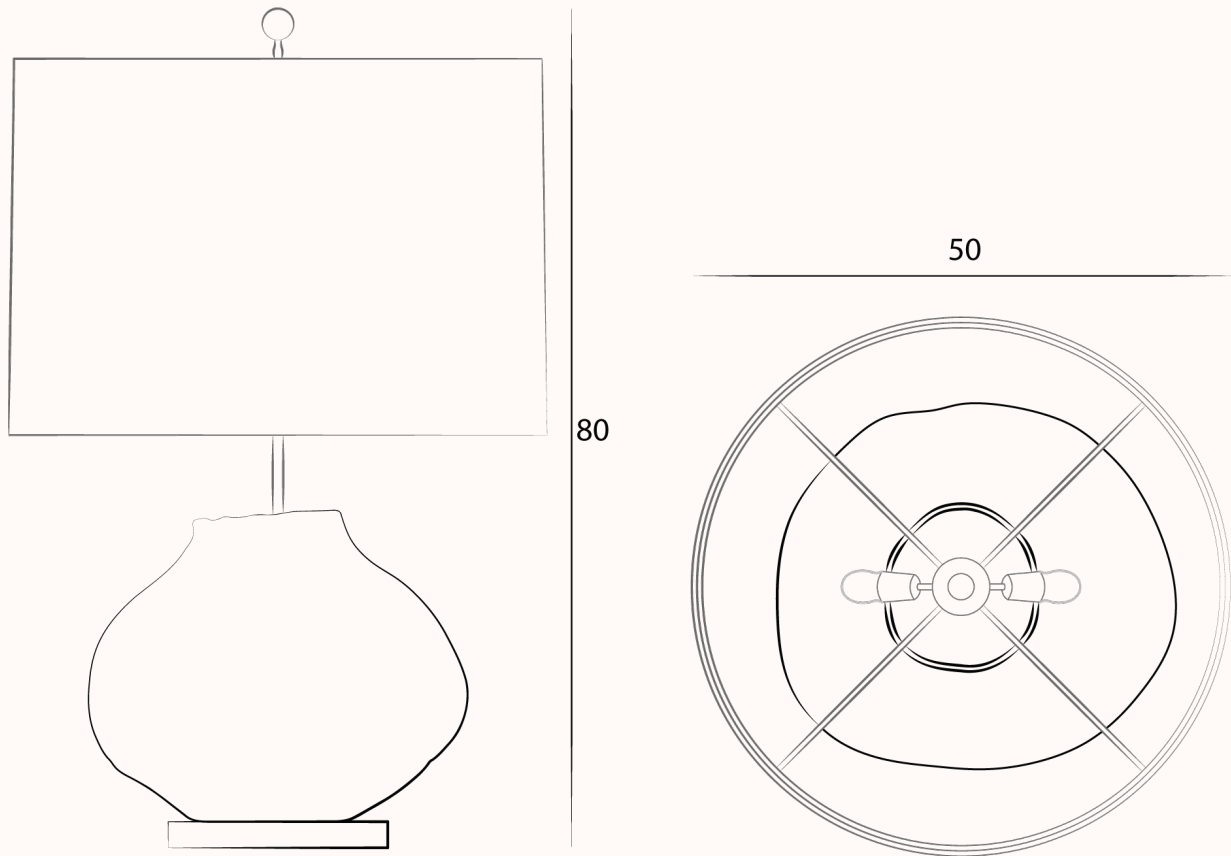
PATT
TABLE LAMP



MAY

MAYLIS ET CHARLES TASSIN

PATT TABLE LAMP



Dimensions in cm

MATERIAL

Ceramic base with white cotton, silk or linen lampshade.

Wiring: LED E27 (fr) - LED E26 (us) 2700k

Lead time 14 to 18 weeks - customization upon request.